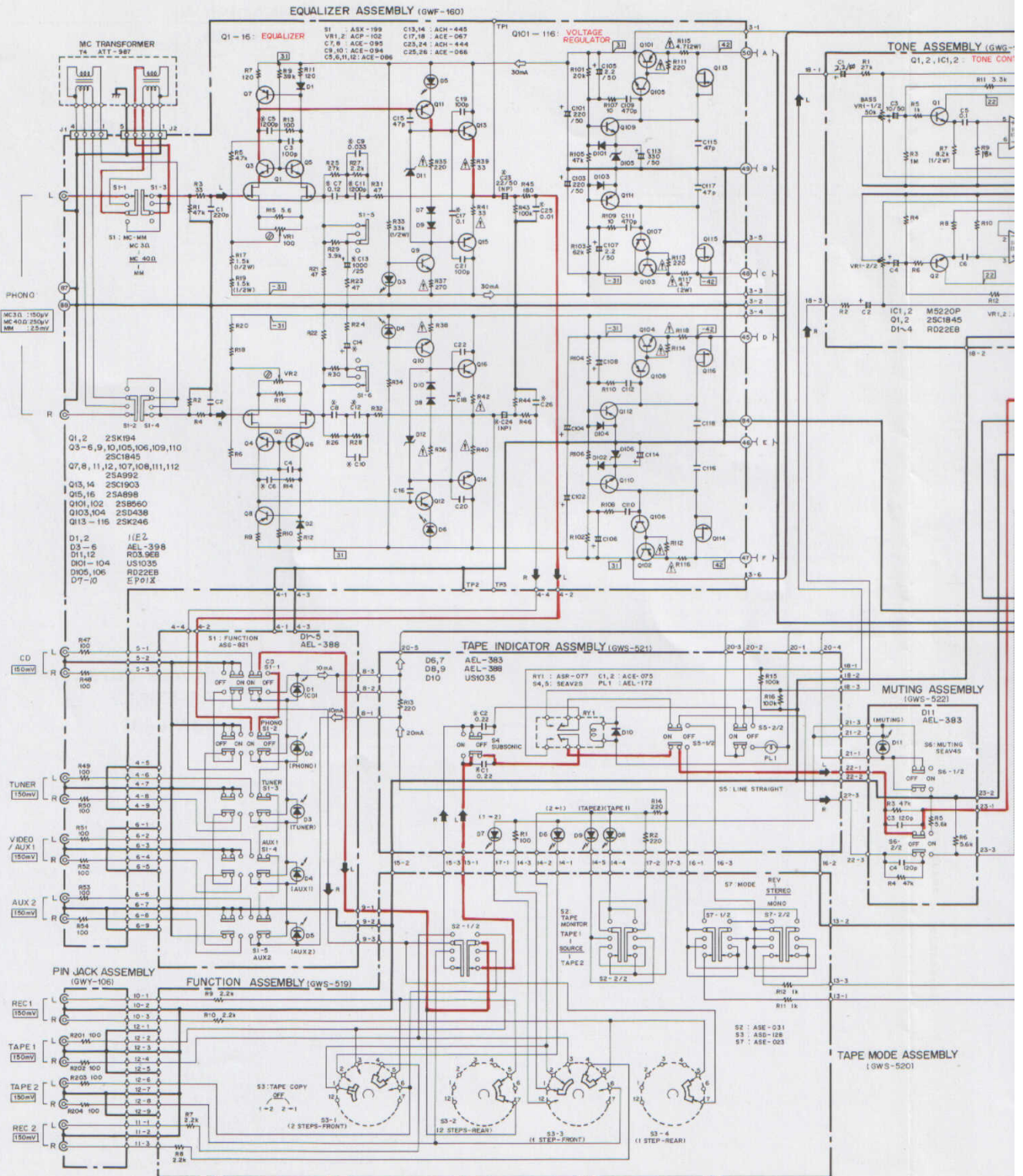
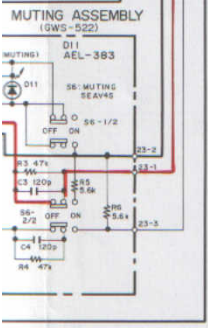
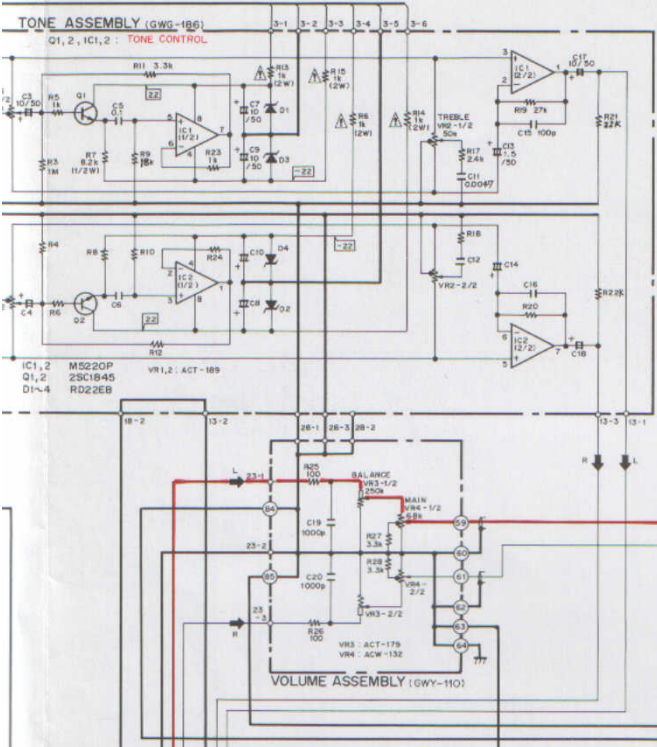
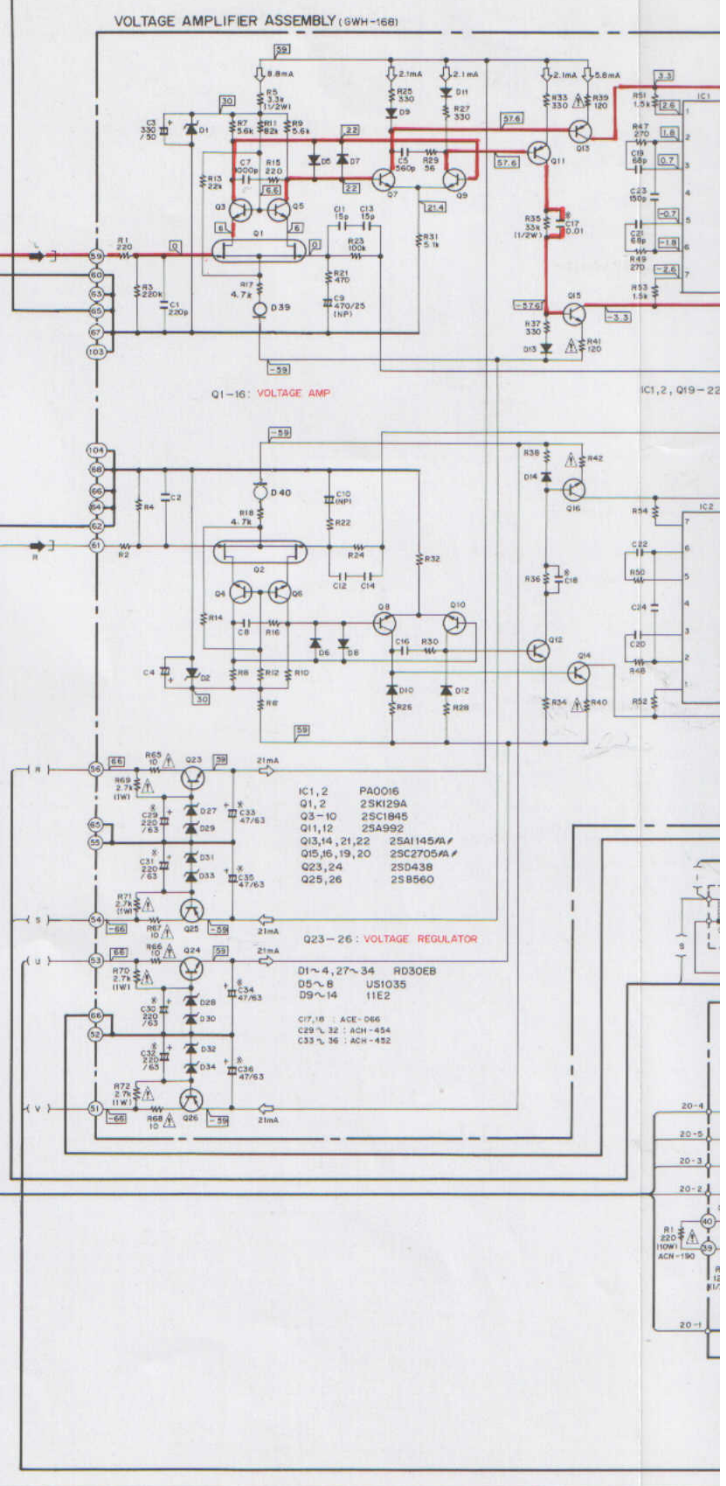


8. SCHEMATIC DIAGRAM

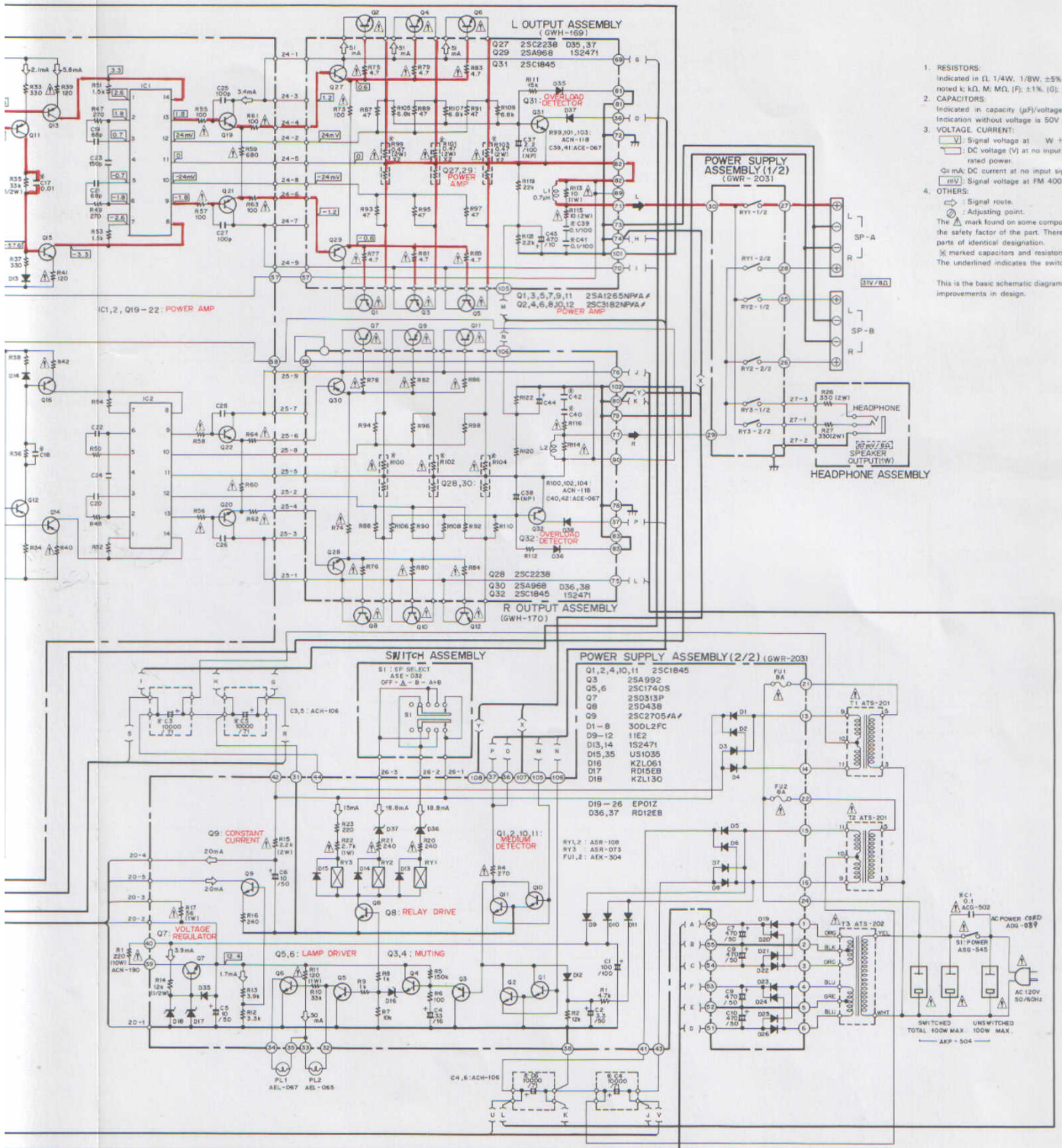




- 5. SWITCHES**
- FUNCTION ASSEMBLY**
 S1-1: CD ON - OFF
 S1-2: PHONO ON - OFF
 S1-3: TUNER ON - OFF
 S1-4: AUX 1 ON - OFF
 S1-5: AUX 2 ON - OFF
- TAPE MODE ASSEMBLY**
 S2: TAPE MONITOR TAPE1 - SOURCE - TAPE 2
 S3: TAPE COPY 1 - 2 - OFF - 2 - 1
 S7: MODE REV - STEREO - MONO
- MUTING ASSEMBLY**
 S6: MUTING ON - OFF
- EQUALIZER ASSEMBLY**
 S1: MC-MM SELECT MC EQ - MC 40Ω - MM
- SPEAKER SELECT ASSEMBLY**
 S1: SP SELECT A+B - B - A - OFF
- TAPE INDICATOR ASSEMBLY**
 S4: SUBSONIC ON - OFF
 S5: LINE STRAIGHT ON - OFF
- OTHER**
 S1: POWER ON - OFF
- THE UNDERLINED INDICATES THE SWITCH POSITION



NOTE:
 The indicated semiconductors are representative. Other alternative semiconductors may be listed in the parts list.



1. RESISTORS:
 Indicated in Ω, 1/W, 1/BW, ±5% tolerance + noted k; M, M; MFL; 1%, 1%; 12%, (K); ±
2. CAPACITORS:
 Indicated in capacity (μF)/voltage (V) unless indicated without voltage is 50V except elec
3. VOLTAGE, CURRENT:
 [Symbol] Signal voltage at W + W, R0
 [Symbol] DC voltage (V) at no input signal V_{dc} rated power.
 [Symbol] mA: DC current at no input signal
 [Symbol] [Symbol] Signal voltage at FM 400 Hz ± 75 k
4. OTHERS:
 [Symbol] Signal route.
 [Symbol] Adjusting point.
 The Δ mark found on some component parts is the safety factor of the part. Therefore, when parts of identical designation.
 * marked capacitors and resistors have part The underlined indicates the switch position.
 This is the basic schematic diagram, but the ac improvements in design.